

Date				
Revision No	1	2	3	4

Released:
24/04/2019

Description :
OVEN EXPLODED VIEW

Scale :
1:5

Reserved property of VENIX S.r.l. as by law enacted it is strictly forbidden to copy or transmit to third party the subject of this drawing.

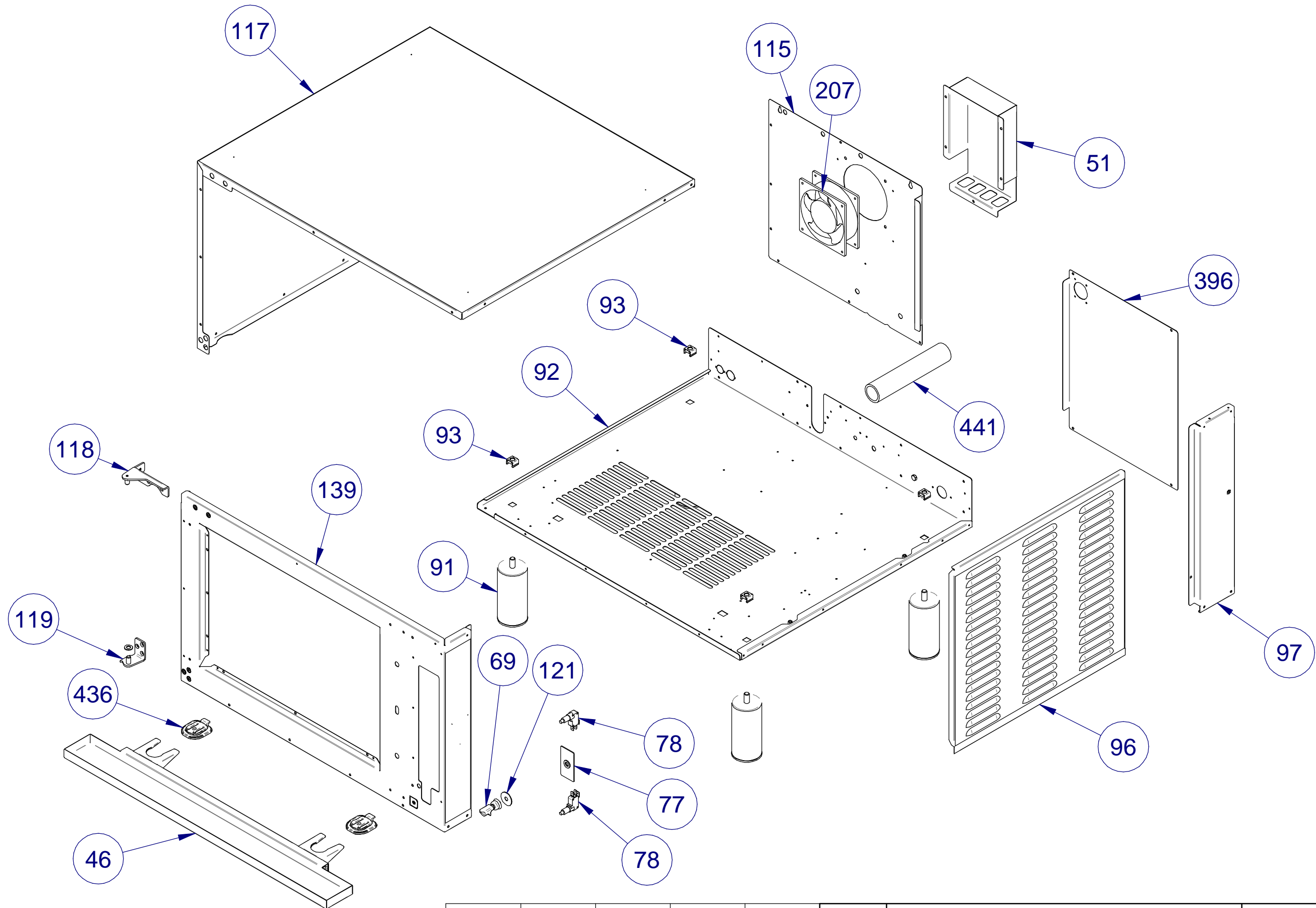
Drawing by:
Prevedello M.

Page No:
Pag. 1 of 5

Filename:
HOP EXPLODED VIEW



VENIX s.r.l.
Via della Fornace, 49
31023 Castelminio di Resana (Treviso) - Italia



Date				
Revision No	1	2	3	4

Released:
24/04/2019

Description :
OVEN EXPLODED VIEW

Scale :
1:7

Reserved property of VENIX S.r.l. as by law enacted it is strictly forbidden to copy or transmit to third party the subject of this drawing.

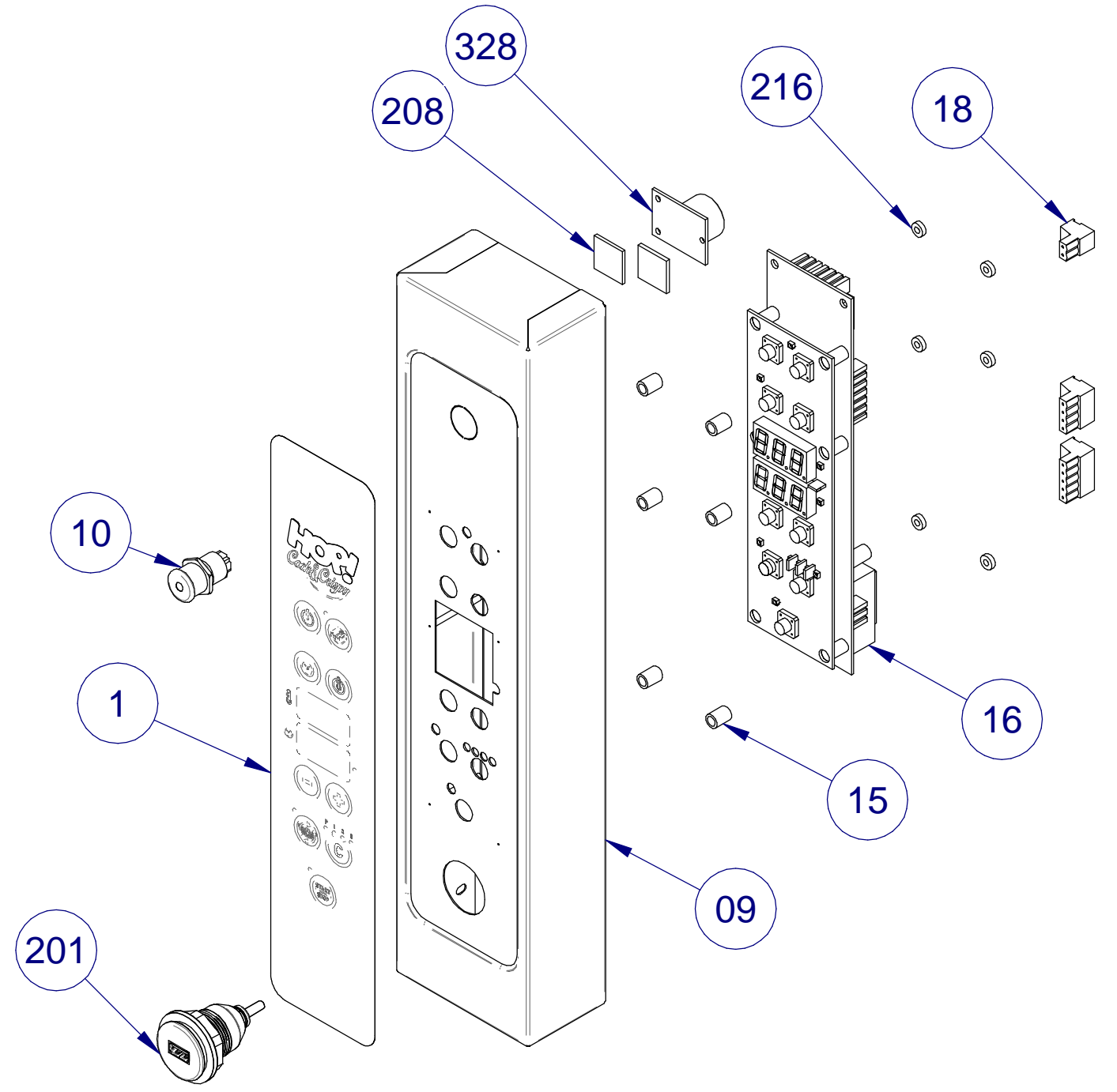
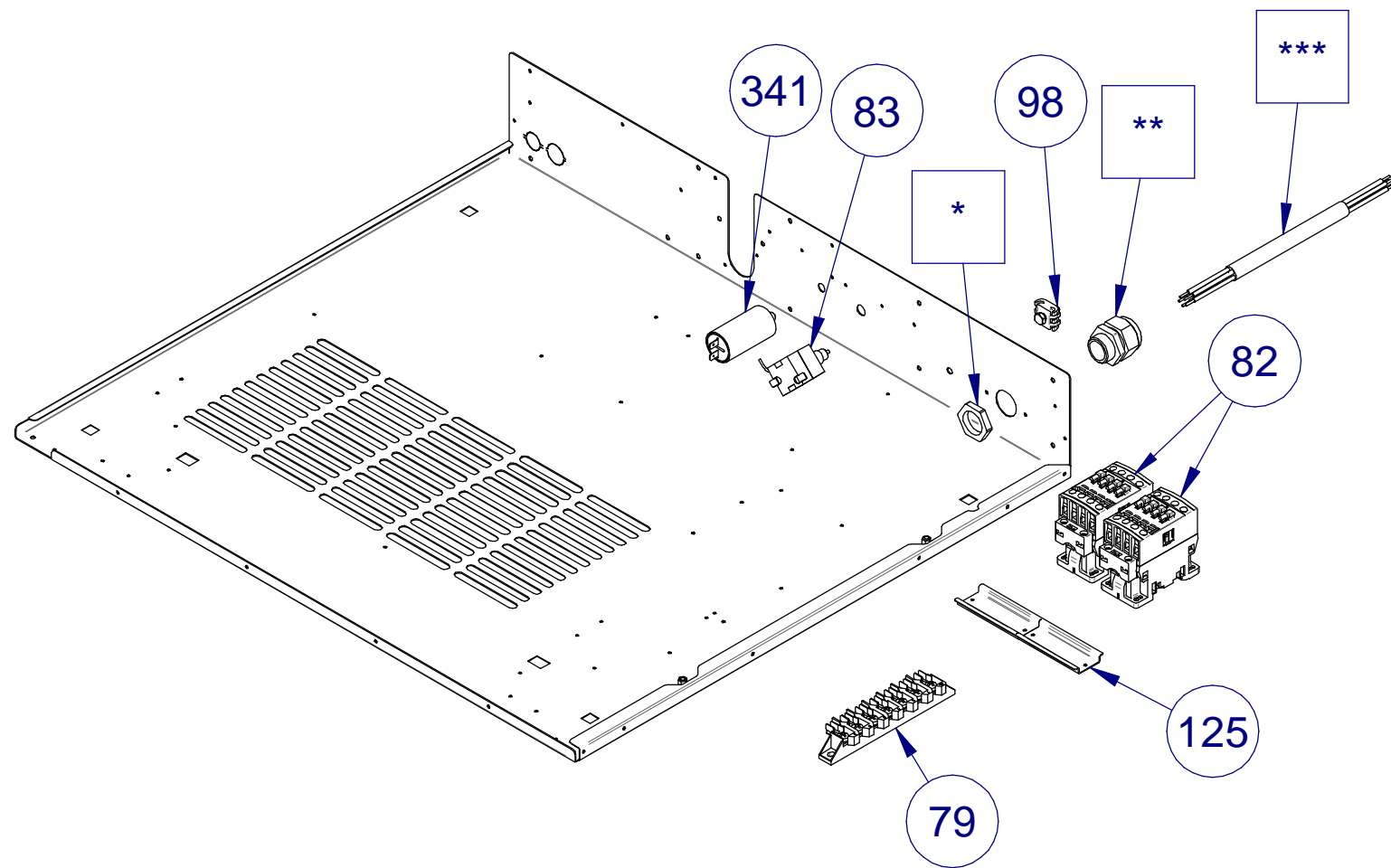
Drawing by:
Prevedello M.

Page No:
Pag. 2 of 5

Filename:
HOP EXPLODED VIEW




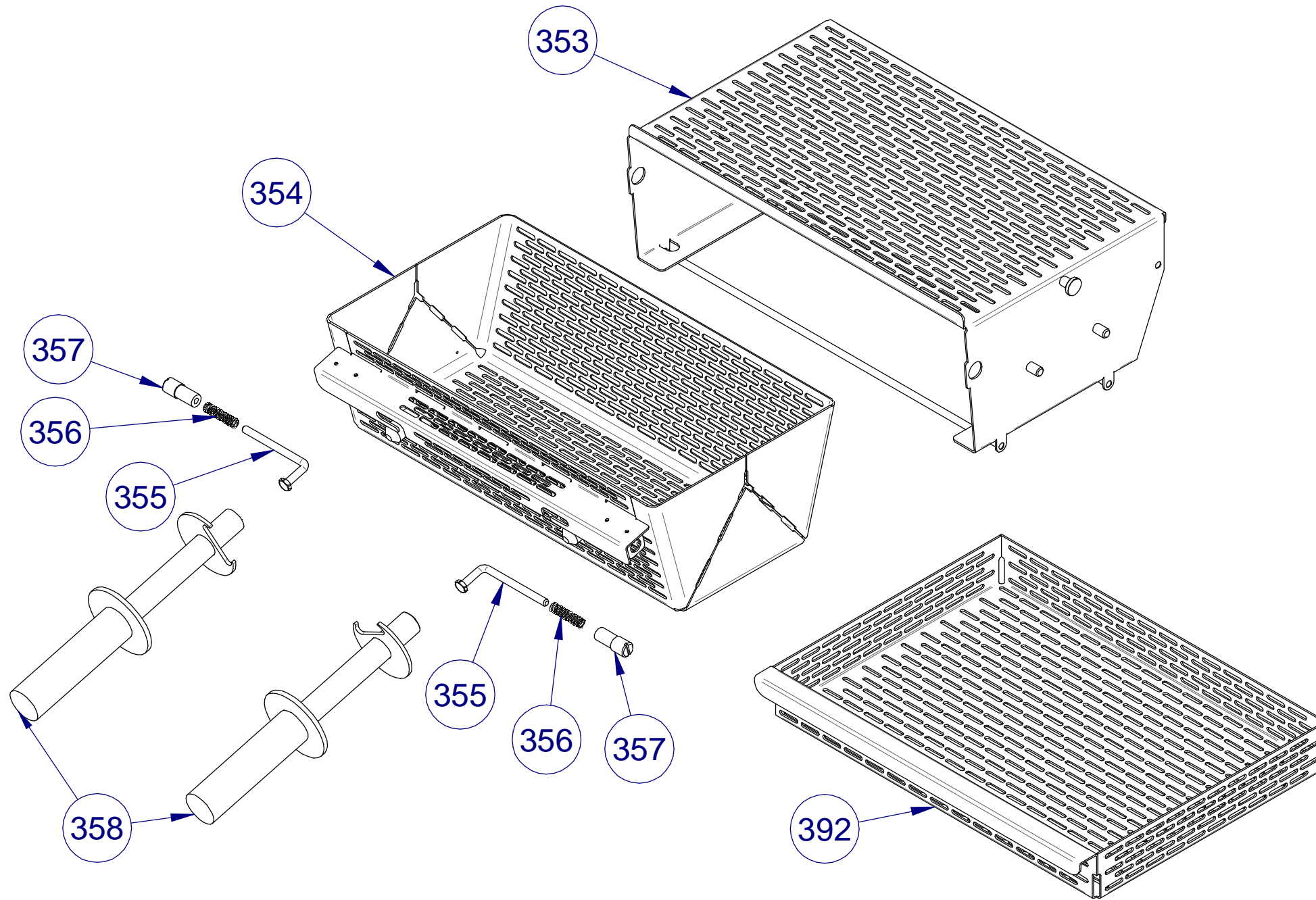
VENIX s.r.l.
Via della Fornace, 49
31023 Castelminio di
Resana (Treviso) -
Italia



scala 1:3

*/**/** IL CODICE VARIA A SECONDA DELLA VERSIONE, COMUNICARE NUMERO DI SERIE / PART NUMBER ACCORDING TO UNIT VERSION, PLEASE COMMUNICATE THE SERIAL NUMBER

Scale : 1:3	mm	A3	Reserved property of VENIX S.r.l. as by law enacted it is strictly forbidden to copy or transmit to third party the subject of this drawing.	Date					Released: 24/04/2019	Description : OVEN EXPLODED VIEW
				Revision No	1	2	3	4	Page No: Pag. 3 of 5	Filename: HOP EXPLODED VIEW
				Drawing by: Prevedello M.						 VENIX s.r.l. Via della Fornace, 49 31023 Castelminio di Resana (Treviso) - Italia



Date				
Revision No	1	2	3	4

Released:	24/04/2019	Description :	OVEN EXPLODED VIEW
Page No:	Pag. 4 of 5	Filename:	HOP EXPLODED VIEW

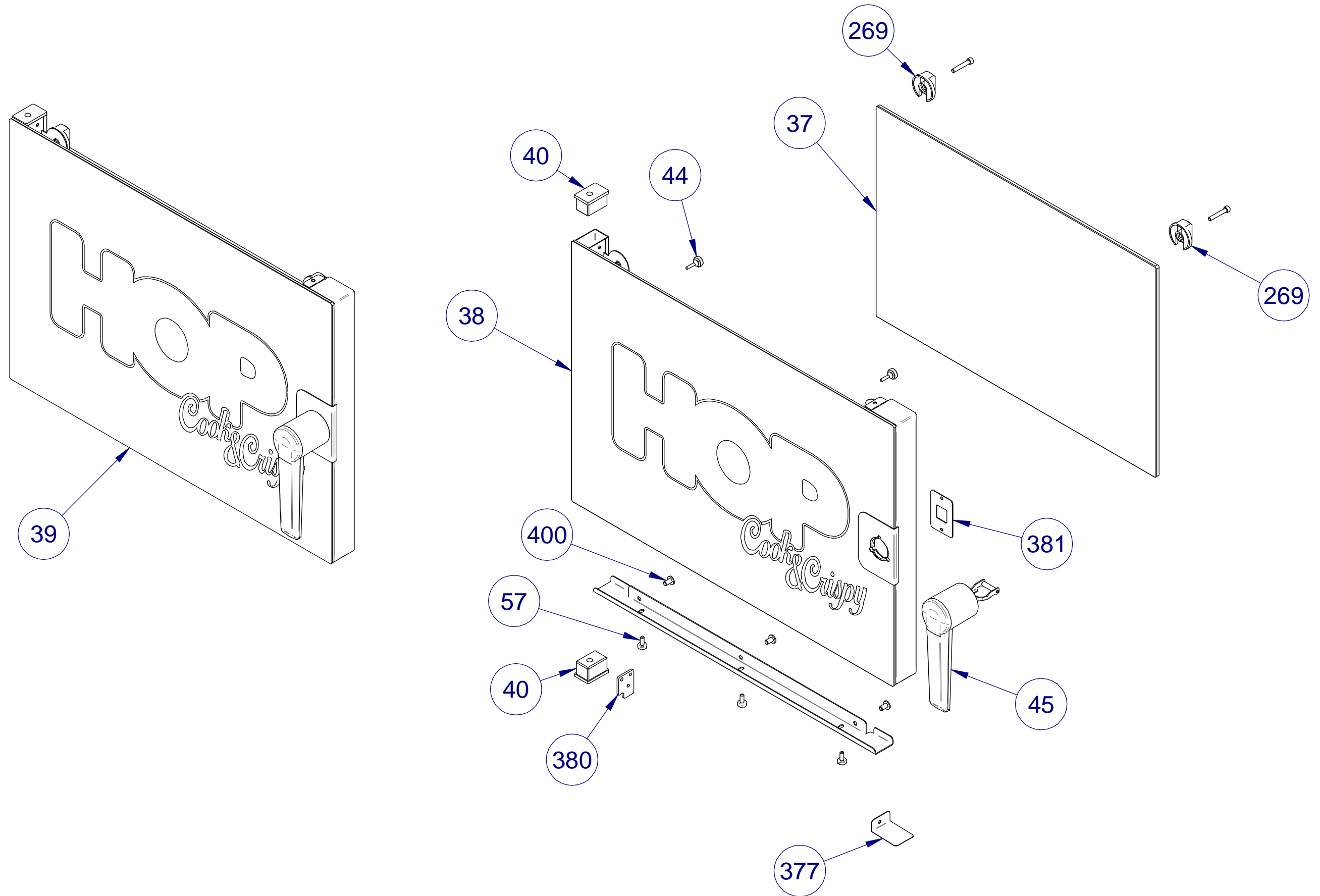
Scale : 1:10
 A3
 mm

Reserved property of VENIX S.r.l. as by law enacted it is strictly forbidden to copy or transmit to third party the subject of this drawing.

Drawing by:
 Prevedello M.



VENIX s.r.l.
 Via della Fornace, 49
 31023 Castelminio di Resana (Treviso) - Italia



Date				
Revision No	1	2	3	4

Released:	24/04/2019
Description :	OVEN EXPLODED VIEW
Page No:	Pag. 5 of 5
Filename:	HOP EXPLODED VIEW

Scale : 1:5
 A3
 mm

Reserved property of VENIX S.r.l. as by law enacted it is strictly forbidden to copy or transmit to third party the subject of this drawing.

Drawing by:
 Prevedello M.

VENIX s.r.l.
 Via della Fornace, 49
 31023 Castelminio di Resana (Treviso) - Italia

LISTA DISTINTA BASE RICAMBI al: 16/05/19

Articolo: HOP*

Ditta: VENIX

ARTICLE	U.M.	DATA EV	DPR	CLO
020SCH0018 PC BOARD	PZ	29/04/19	001	CLA

N.DRAWING	CODE SPARE PART	CLIENT'S CODE	DESCRIPTION	QTY	PRICE
016	020SCH0018_A		PC BOARD	1,00000	
328	020SCH0018_B		PC BOARD	1,00000	

N.DRAWING	CODE SPARE PART	CLIENT'S CODE	DESCRIPTION	QTY	PRICE
60PERCES001	ASS.CHIUSURA CESTELLO HOP				

N.DRAWING	CODE SPARE PART	CLIENT'S CODE	DESCRIPTION	QTY	PRICE
355	60CES002-DV2		LOCKING SCREW	2,00000	24,69
356	60MOLAI005		MOL AISI 302 DF08 DI6.5 DE8.1 L31 B033D.	2,00000	1,02
357	60CES002-E V2		PERNO BLOCC VASC B033D.1SP	2,00000	6,84

N.DRAWING	CODE SPARE PART	CLIENT'S CODE	DESCRIPTION	QTY	PRICE
BK01	REMOVABLE FRYING BASKET FOR HOP				

N.DRAWING	CODE SPARE PART	CLIENT'S CODE	DESCRIPTION	QTY	PRICE
354	60CES002		BASKET - INTERNAL STRUCTURE FOR HOP!	1,00000	177,27

N.DRAWING	CODE SPARE PART	CLIENT'S CODE	DESCRIPTION	QTY	PRICE
HOP*	CONVECTION OVEN HOP WITH SIDE OPENING DOOR FOR FROZEN FRY PRODUCTS WITHOUT CONDENSATION SYSTEM 3,55 KW				

ARTICLE		U.M.	DATA EV	DPR	CLO	
N.DRAWING	CODE SPARE PART	CLIENT'S CODE	DESCRIPTION		QTY	PRICE
001	9000000112513		FRO HOP NERO		1,00000	18,02
010	020INT0003		SWITCH		1,00000	24,06
015	70RON014		PLASTIC LOCK SPACER FOR PC BOARD		6,00000	0,45
018	020CNT0007		CONNECTOR 2 POLES		2,00000	1,15
018	020CNT0008		CONNECTOR 3 POLES		2,00000	1,73
018	020CNT0009		CONNECTOR 4 POLES		1,00000	1,15
039	9000000149885		PORTA FORNO HOP PRO HOP ARANCIO SEMIFAS		1,00000	190,97
045	60MAGTR004	3242812	MANIG. 6334-020053 NERA TONDA		1,00000	76,02
051	10SCNA08SAA110		SCH COPRI MOT ASSIALE HOP/AIR/PRO/AIRPRO		1,00000	9,89
056	10DEFA08LAA097		AIR DEFLECTOR		1,00000	19,62
057	70VIT041		SCREW FOR DEFLECTOR		6,00000	4,63
058	70DAD004		NUT FOR FAN		1,00000	1,37
059	60VENAI007		FAN		1,00000	37,65
060	10PIAA10LAA009		PLATE FOR MOTOR		1,00000	3,37
061	040BOC00006		ROUND BUSHING MOTOR		1,00000	1,49
062	020RES33240234333		HEATING ELEMENT 3,3 KW		1,00000	26,36
065	040GUA00014		GASKET CONVECTION OVENS BURANO/TORCELLO		2,07500	18,05
066	040ANG00002		PLASTIC CORNER		4,00000	2,44
069	60NASAI002		NASELLO 2 SCATTI x 60MAGTR004		1,00000	11,61
071	10PROZ10NAA279		PRO.RINF.PESO MUFFOLA HOP/AIR/PRO/AIRPRO		2,00000	8,04
074	020SON0001		TEMPERATURE PROBE		1,00000	14,08
075	10CRUA08SAA170		CRUSCOTTO DIG. HOP/AIR/PRO/AIRPRO		1,00000	41,94
075	10FACA08SAA010		ASSIEMATO FACCIATA HOP /AIR/ PRO/AIRPRO		1,00000	50,13
075	10PROZ08NAA290		PROFILO NASELLO PORTA HOP/AIR/PRO/AIRPRO		1,00000	3,12
077	10PIAZ15NAA011		PLATE		1,00000	0,90
078	020PUL0002		DOOR MICROSWITCH		2,00000	5,70
079	020MOR0003		MAIN TERMINAL BLOCK		1,00000	1,70
080	020MOT0010		MOTOR 220V		1,00000	78,18
082	020TEL0003		CONTACTOR ABB 230V 25A		1,00000	22,65
083	020TER0007		SECURITY THERMOSTAT		1,00000	7,35
086	70VIT015_B		TRAY RACK SCREW		2,00000	4,11
092	10FONZ10NAA069		FONDO SUPP. PIEDINI HOP/ AIR/PRO/AIRPRO		1,00000	23,39
097	10FIAA08SDX307		FRAME		1,00000	9,17
098	020MOR0001		GROUND TERMINAL		1,00000	1,36
100	040PPC00002		CABLE FIXING		1,00000	0,87
103	040CTD00002		NUT		1,00000	0,21
115	10SCNA10SAA112		SCHIENA POST. HOP / HOP PRO		1,00000	29,88
116	10SCNA08SAA111		TUBE COVER		1,00000	5,95
117	10FIAA08SAA305		FRAME		1,00000	58,89
117	10FIAA08SAA309		FRAME		1,00000	26,49
118	10SUPA30SSU054		DOOR SUPPORT		1,00000	11,14
119	10SUPA30SIN055		DOOR SUPPORT		1,00000	9,36
121	10PIAA10SAA013		PLATE		1,00000	0,87
125	10SUPZ10NAA002		CONTACTOR SUPPORT		0,50000	0,92
129	50GRIAI120		DEFLECTOR GRID		1,00000	16,23
168	10DEFA08LAA099		AIR DEFLECTOR		2,00000	9,84
207	020MOT0009		MOTOR 30W		1,00000	16,36
209	020CNT0019		CNT USB +CAVO DA 0,8 mt USB		1,00000	24,60
216	70RON012		LOCK WASHER		7,00000	0,57
243	040FIL001		FIL PL MOT ASS. F120/MR FAND		1,00000	7,39
253	10PIAA10SAA045		PLATE		2,00000	2,40

ARTICLE			U.M.	DATA EV	DPR	CLO			
272	020CNT0018						CONNETTORE JST 2 VIE X SONDA HOP	1,00000	0,24
309	10PIAA15NAA103						PLATE	1,00000	1,98
341	020CND00001						MOTOR CONDENSER	1,00000	1,62
346	50PT50						TEFLON TRAY FOR HOP!	1,00000	33,30
347	10PROA08SAA283						PROFILO REGGI TEGLIA HOP/AIR/PRO/AIRPRO	2,00000	5,04
348	020MOT0020						MOTOR230/400 3	1,00000	75,60
351	60FIL003						CARBON FILTER FOR HOP CF1	1,00000	53,82
353	60CES001						EXTERNAL STRUCTURE FOR HOP	1,00000	149,17
354	60CES002						BASKET - INTERNAL STRUCTURE FOR HOP!	1,00000	177,27
358	60MAGHOP						HANDLE FOR HOP	2,00000	118,54
362	020MCI002						MICRO XCMD2102L1 +1MT CAVO TELEMECANIQUE	1,00000	46,75
377	10PIAA08SAA100						PLATE	1,00000	4,30
381	10PIAA08SAA096						PLATE	1,00000	1,75

PTHOPPRO*	PORTA FORNO HOP PRO	PZ	14/06/18	001	CPR
-----------	---------------------	----	----------	-----	-----

N.DRAWING	CODE SPARE PART	CLIENT'S CODE	DESCRIPTION	QTY	PRICE
037	80VET6I03100520189		INTERNAL GLASS DOOR B033DV.16	1,00000	11,92
038	9000000158993		ASSIEME VETRO ESTERNO HOP AIR HOP ARANC	1,00000	155,66
040	040TAP00021		PLASTIC COVER OVEN DOOR	2,00000	13,53
177	10PIAA08SAA060		PLATE	2,00000	2,22
178	10PIAA08SAA059		PLATE	2,00000	2,25

Gestware